

WP29/32

ELECTRIC WATER PUMP

HIGH PERFORMANCE - COMMERCIAL GRADE

- Long Life Brushless Motor
- High Efficiency
- Flexible Packaging
- Capable of High Flow & Pressure
- Variable Flow Control
- E-Mark Certified Pump Available
- CSA Certified Pump Available



WP29/32 ELECTRIC WATER PUMP



APPLICATIONS

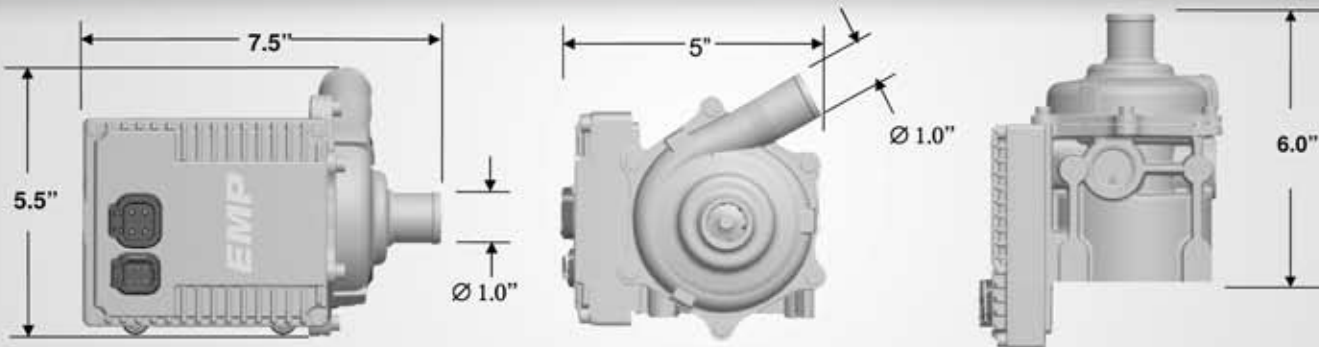
- Hydraulic Cooling • EGR Cooling
- Jacket Water Cooling • CAC Cooling
- Electronics Cooling • Secondary Cooling

LIFETIME DESIGN 5X GREATER FLOW

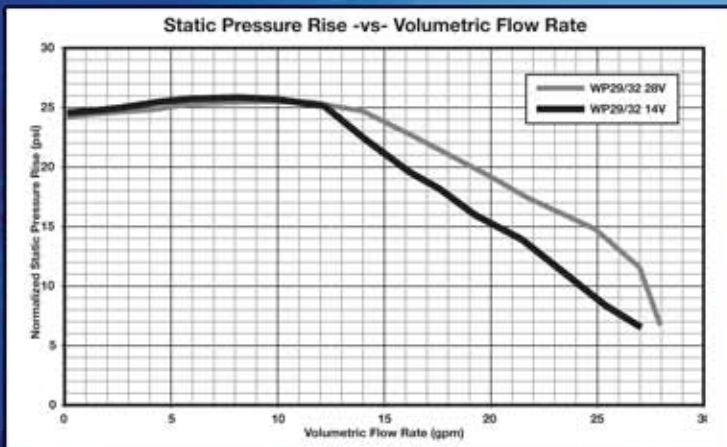
COOLING SOLUTIONS FOR TODAY & TOMORROW

ELECTRIC WATER PUMP SPECIFICATIONS

Rev. 4/15



STATIC PRESSURE RISE VS. VOLUMETRIC FLOW RATE



FEATURES

- Fully Controllable Single Speed
- High Efficiency
- 12 or 24 Volt Models
- Brushless, Sensorless Motor
- Corrosion and Water Resistant
- Long Life
- Compact
- Ease of Integration
- Quiet
- CAN Capable

PUMP SPECIFICATIONS

- Power Supply: 12 VDC or 24 VDC
- Controller: Integrated
- Weight: 6.5 lbs.
- Inlet Connection: ϕ 1.0" hose
- Outlet Connection: ϕ 1.0" hose
- Target Life: 10,000+ hrs.
- Temperature Range: -40 to 95°C
- Housing Construction: Cast 413 Aluminum

INTEGRATED WP29/32 CONTROLLER

INTERFACE

- One Channel of CAN (SAE J1939 Compliant)
- TTL/SCI 38.4Kps for EMP Service Tool

FEATURES

- Diagnostic Capability
- Configurable Through EMPower Connect[™] Service Tool
- Fully Protected (Transients/Short Circuit/Reverse Battery)
- Full Variable Control by: CAN SAE J1939
- Behaves as an On/Off Controller in Absence of CAN

SPECIFICATIONS

Rated Voltage	9 to 18 VDC or 18 to 32 VDC
Operating Temperature	-40 to 95°C
Storage Temperature	-40 to 125°C
Controlled or Single Speed	CAN
Power & Enable	DTP06-4S-E003
CAN & RS232	DTM06-6S-E007