

The WP150 is a high performance, long life, severe duty electric water pump used in cooling systems in extreme environments. It can be used in off road applications, power generation, and large vehicle applications including fuel cell, diesel, electric, and other alternative fuel applications.



## APPLICATIONS

Fuel Cell	EGR
Traction Motor	CAC
Hybrid Battery Pack	Electronics
Hydraulic	HVAC

## FEATURES

- 450-850 VDC
- Full variable speed control
- Long-life brushless DC motor
- Sealed and fully submersible
- High efficiency, compact, and quiet

## PUMP SPECS

<b>Flow &amp; Pressure</b>	75 GPM @ 22 psi
<b>Pump Speed Range</b>	500 - 4350 RPM
<b>Overall Weight</b>	16lbs (7.25 kg)
<b>Operating Temperatures</b>	-40° to 203° F (95° C)
<b>Storage Temperatures</b>	-40° to 257° F (125° C)
<b>Sealing Rating</b>	IP6K9K
<b>Hose Connections</b>	2 in

## CONTROLLER SPECS

<b>Control Input</b>	SAE J1939-11 Autobaud CAN
<b>LV Range</b>	9 - 32 VDC
<b>HV Range</b>	450 - 850 VDC
<b>LV Connection</b>	TE 5ATM 12 Pin w/ bonding wire
<b>HV Connection</b>	TE HV280A w/HVIL
<b>LV Current</b>	200 mA @ 24 V 203° F
<b>HV Current</b>	5 AMP Maximum

**CONTACT US ABOUT YOUR HIGH VOLTAGE APPLICATIONS**

EMP's popular 15" electric fan has developed a high-voltage option. These fans run on a range of 450 – 850V with 1.5 – 3kw of power, CAN controlled with variable speed, and diagnostic capable. It's power distribution module also allows for a "plug and play" single point connection for easy integration.



## FEATURES

450 - 850 Volts

Galvanic isolation between LV and HV

Integrated Controller

Fully controllable single speed

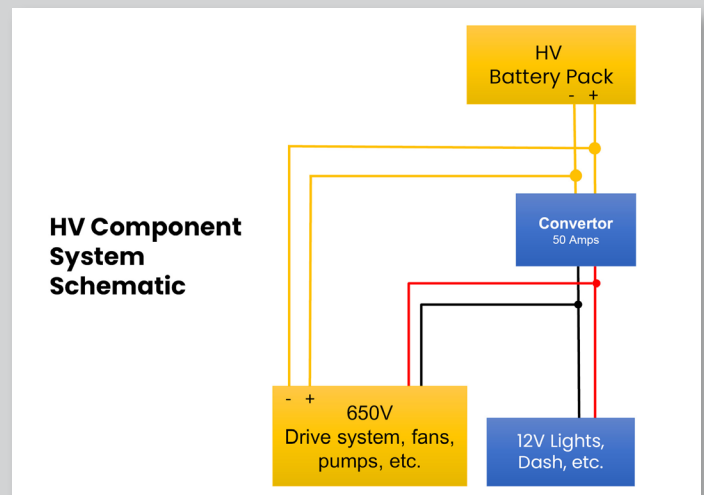
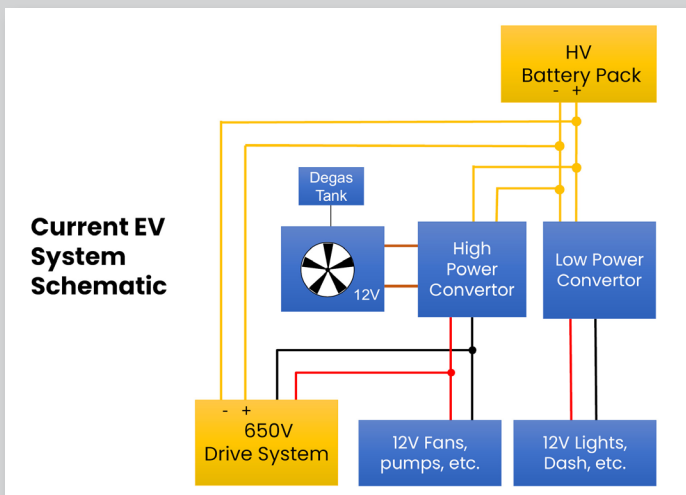
Motor & Controller diagnostics

Active/passive discharge

Pusher or puller configurations

E-Mark certified

## SIMPLIFIED ARCHITECTURE



## FAN SPECS

Airflow	3400 m3/hr @ 250 Pa
Max Fan Speed	500 - 3400 RPM
Size & weight	15" blade & 16lbs
Operating Temperatures	-40° to 95° C
Storage Temperatures	-50° to 125° C
Sealing Rating	IP6K9K
Fan Life	40,000+ hours
Finger Guard Available	SAE J1308
Materials	All aluminum outer housing
Materials	Glass filled plastic blade

## CONTROLLER SPECS

Control Input	SAE J1939-11 Autobaud CAN
LV Range	9 - 32 VDC
HV Range	450 - 850 VDC
LV Connection	TE 5ATM 12 Pin w/ bonding wire
HV Connection	TE HV280A style w/HVIL
LV Current	200 mA @ 24 V 203° F
HV Current	3 Amps Continuous @ 450 V, 203° F
Protection From...	Current limit, over temp
Protection From...	Transients/short circuit/reverse battery